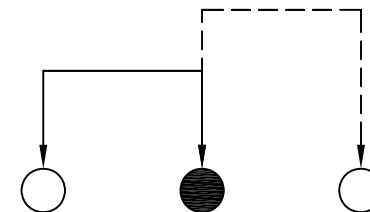
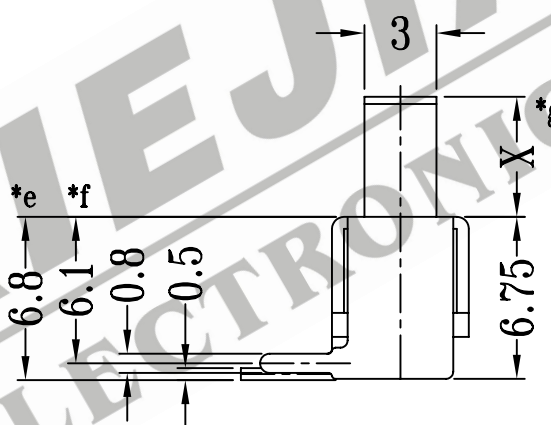
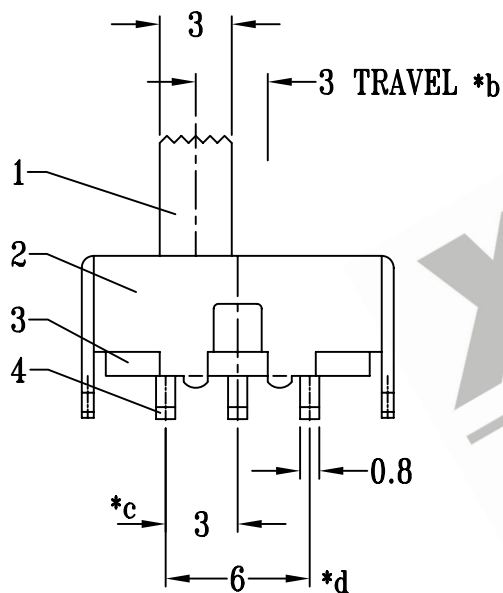
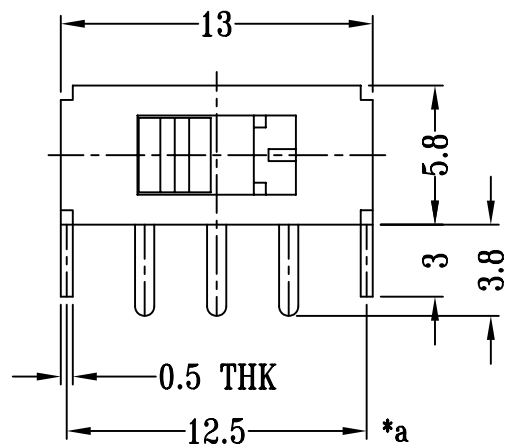
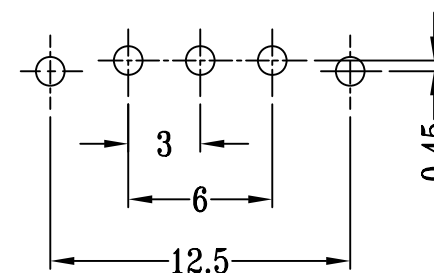




CAD FILE:



SCHEMATIC (NON-SHORTING)



P.C.B LAYOUT

注:带"*"表示关键尺寸(7个)

8					TOLERANCE UNLESS SPECIFIED	SHENZHEN XIEJIA ELECTRONICS CO.,LTD.			
7						WITHIN: 1.5±0.1mm OVER: 1.5±0.2mm	ISSUE	DATE	DESCRIPTIONS OF REVISION
6	CONTACT CLIP	COPPER STRIP	1	Ag PLATED	TITLE : VERTICAL SLIDE SWITCH MODEL: SS-12F123 ALL MATERIALS MUST BE COMPLIANT TO ROHS	UNIT : mm		DRWG NO.: XJ-DR-SS12F123-00	
5	SPRING	STEEL WIRE	1	TEMPER		DWN.	ZHOUYU	2003-11-3	
4	TERMINAL	BRASS STRIP	3	Ag PLATED OVER Ni PLATED		CHK'D	FANGYING	2003-11-3	
3	BASE	PHENOLIC RESIN	1	NATURAL		APPD.	KANGXINAN	2003-11-3	
2	FRAME	STEEL STRIP	1	Ni PLATED					
1	KNOB	POM	1	BLACK					
NO.	PARTS	MATERIALS	Q'TY	FINISH					